

## 回转减速机 Slew Drives



### 工程机械 回转减速机 Slew Drives For Construction Machinery



回转减速机

### Slew Drives

#### 应用范围:

各种汽车起重机、全路面起重机、  
越野轮胎起重机、履带起重机、  
挖掘机及其它回转机构

#### Applications

Mobile cranes, all terrain cranes, rough  
terrain cranes, crawler cranes, excavators  
and other slewing mechanism.

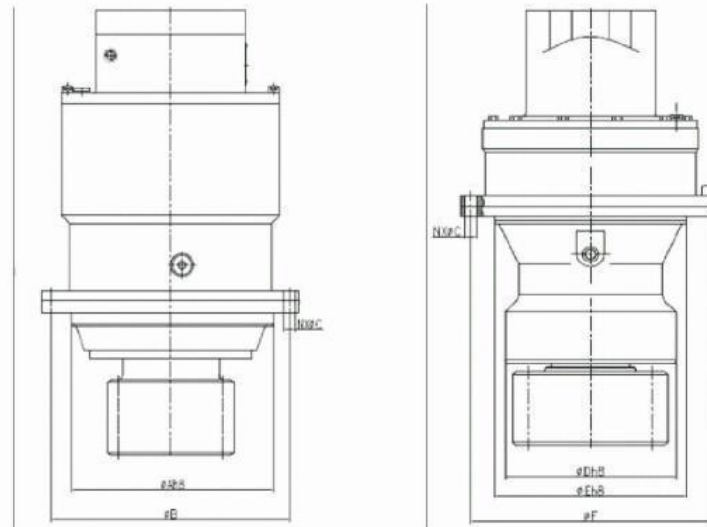
## 产品介绍 Special Features

回转减速机以其卓越的品质和性能，满足了各种条件、环境下使用，  
其明显的优点表现在：Super quality and performance of slew drives are suitable for all kinds of applications.

- |                   |            |              |                                  |
|-------------------|------------|--------------|----------------------------------|
| Update Technology | · 引进国外先进技术 | · 模块化设计      | Modular Design                   |
| Micro Motion      | · 产品微动性能好  | · 承载能力强、可靠性好 | High Load Capacity & Reliability |
| Compact Structure | · 结构紧凑     | · 维护简单       | Simple Maintenance               |

#### 株洲齿轮有限责任公司 ZHUZHOU GEAR CO., LTD.

地址：湖南省株洲市新华西路119号  
电话：0731-28496383  
传真：0731-28496358  
Http://www.chinese-gear.com



| 型号      | A   | B   | D   | E   | F   | N x Ø C  | T2MAX |       | 速比  |
|---------|-----|-----|-----|-----|-----|----------|-------|-------|---|
|         |     |     |     |     |     |          | 挖掘机   | 起重机   |   |
| ZFB17B  |     |     | 230 | 230 | 290 | 16xØ18   | 7700  | 12000 | 18.86, 20.9, 23.62, 27.43, 33.14, 38.57, 46.42, 54.95, 65.24, 78.95, 89.23, 103.62, 171.24    |
| ZFB17B  | 250 | 305 |     |     |     | 16xØ17.5 | 7700  | 12000 | 18.86, 20.9, 23.62, 27.43, 33.14, 38.57, 46.42, 54.95, 65.24, 78.95, 89.23, 103.62, 171.24    |
| ZFB24B  |     |     | 230 | 230 | 315 | 20xØ18   | 10600 | 17500 | 38.82, 43.39, 46.73, 91.13, 103.63, 121.5, 138.18, 174.66, 198.63, 210.29, 239.15, 222.07     |
| ZFB26B  |     |     | 250 | 250 | 350 | 20xØ18   | 10000 | 16500 | 31.36, 37.8, 43.9, 51.52, 55.2, 63  |
| ZFB34B  |     |     | 250 | 250 | 350 | 20xØ18   | 16000 | 25000 | 31.36, 37.8, 43.9, 51.52, 55.2, 63  |
| ZFB36B  |     |     | 250 | 250 | 350 | 20xØ18   | 17500 | 28500 | 33.57, 39.43, 48.2, 67.96, 80.36, 101.02, 117.55, 132, 139.82, 162.26, 270                    |
| ZFB36B  | 250 | 460 |     |     |     | 10xØ26   | 17500 | 28500 | 33.57, 39.43, 48.2, 67.96, 80.36, 101.02, 117.55, 132, 139.82, 162.26, 270                    |
| ZFB40B  |     |     | 250 | 250 | 375 | 20xØ18   | 18000 | 29000 | 36.88, 42.04, 49.28, 60.13  |
| ZFB40B  | 280 | 375 |     |     |     | 20xØ17.5 | 18000 | 29000 | 36.88, 42.04, 49.28, 60.13  |
| ZFB50B  |     |     | 300 | 300 | 375 | 24xØ18   | 27800 | 48500 | 28.29, 37.8, 46.13, 81, 92.12, 100.75, 111.38, 126.66, 147.39, 156.94, 178.48, 193.45, 236.05 |
| ZFB60B  |     |     | 325 | 325 | 490 | 16xØ22   | 27800 | 48500 | 34.03, 40.41, 64.77, 87.46, 95.8, 106.53, 120.83, 140.86, 151.53, 170.89                      |
| ZFB60B  | 340 | 450 |     |     |     | 24xØ26   | 27800 | 48500 | 34.03, 40.41, 64.77, 87.46, 95.8, 106.53, 120.83, 140.86, 151.53, 170.89                      |
| ZFB90B  |     |     | 370 | 370 | 480 | 24xØ26   | 38200 | 68300 | 62.28, 77.68, 80.15, 90.82, 99.97, 111.86, 127.94, 150.94, 186.43, 190.57                     |
| ZFB110B |     |     | 390 | 390 | 520 | 24xØ26   | 52000 | 93300 | 62.28, 80.53, 88.64, 96.83, 105.23, 115.83, 129.6, 148.24, 165.31, 174.86, 196.79, 216        |